

SEE PAGE 2 FOR MOUNTING INSTRUCTIONS

**ELECTRICAL SPECIFICATIONS**

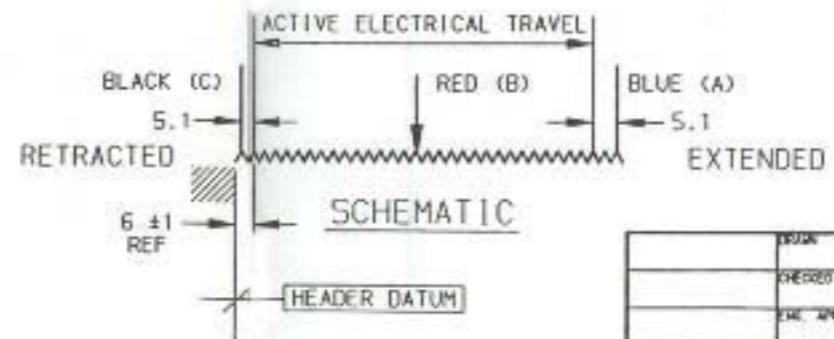
ELECTRICAL TRAVEL	-----	3
RESISTANCE	-----	SEE TABLE
RESISTANCE TOLERANCE	-----	±20%
ACCURACY (INDEPENDENT LINEARITY)	-----	
STD. ±.38 mm	-----	SEE TABLE
BEST ±.075 mm	-----	
POWER RATING	-----	
WATTS PER 50mm OF ELECTRICAL TRAVEL	-----	
@ 70°C DERATED TO 0 WATTS @ 125°C	-----	0.5
OUTPUT SMOOTHNESS (% OF TOTAL APPLIED VOLTAGE)	-----	0.1
RESOLUTION	-----	INFINITE
INSULATION RESISTANCE (MEGOHMS @ 250 VDC)	-----	50 MIN.
TEMPERATURE RANGE (°C)	-----	-40 TO +125
DIELECTRIC	-----	250VDC

**MECHANICAL SPECIFICATIONS**

ACTUATION FORCE (NEWTONS MAX)	-----	0.56
REPEATABILITY (mm)	-----	WITHIN .013
LIFE (METERS OF CONTACT TRAVEL)	-----	1.0 X 10 <sup>6</sup>

**NOTES: UNLESS OTHERWISE SPECIFIED**

1. DIMENSIONS ARE IN MILLIMETERS.
2. MOST SPECIFICATIONS MAY BE ALTERED TO MEET SPECIFIC REQUIREMENTS.
3. OTHER TRAVELS AVAILABLE.
4. NON-PRESSURE HEADER (H001) SHOWN, SEE FOLLOWING PAGES FOR ADDITIONAL STANDARD HEADERS.
5. O-RING SUPPLIED FOR SHIPPING ONLY. REMOVE BEFORE INSTALLATION.
6. DESIGN DETAILS SUBJECT TO CHANGE WITHOUT NOTICE.

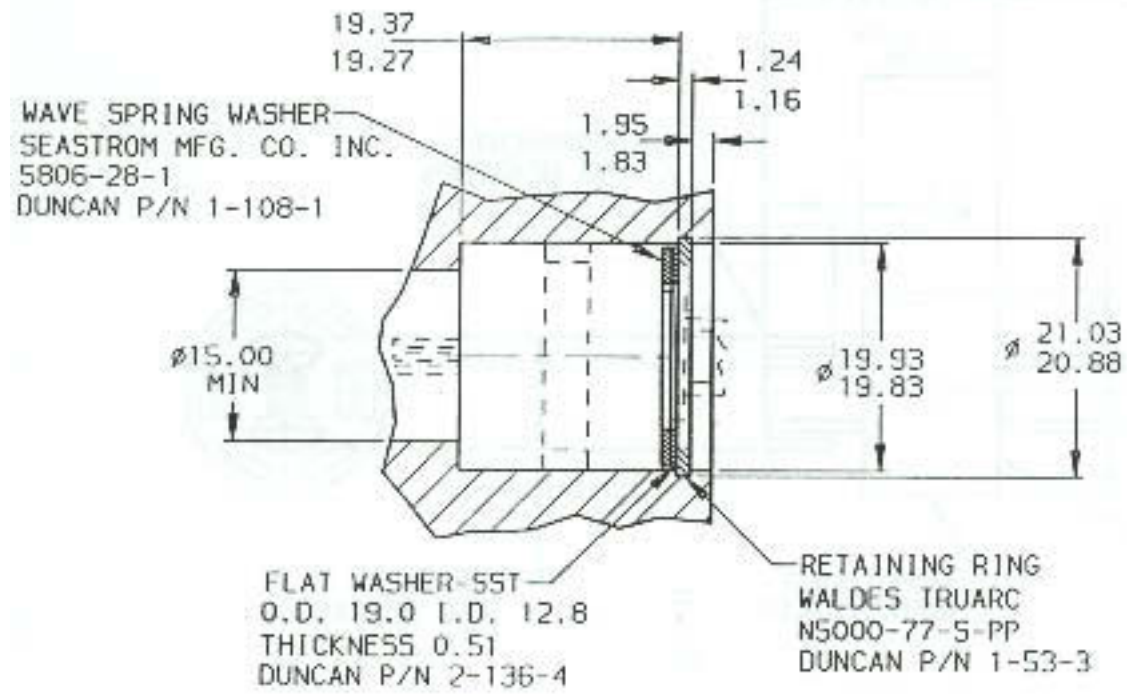


0.038	80	1000	6320
0.040	76	950	6319
0.042	72	900	6318
0.045	68	850	6317
0.047	64	800	6316
0.050	60	750	6315
0.055	56	700	6314
0.060	52	650	6313
0.065	48	600	6312
0.070	44	550	6311
0.075	40	500	6310
0.085	36	450	6309
0.100	32	400	6308
0.110	28	350	6307
0.130	24	300	6306
0.150	20	250	6305
0.190	16	200	6304
0.250	12	150	6303
0.380	8	100	6302
0.750	4	50	6301
LIN. ±%	RES. (KΩ)	Ø DIM	MODEL

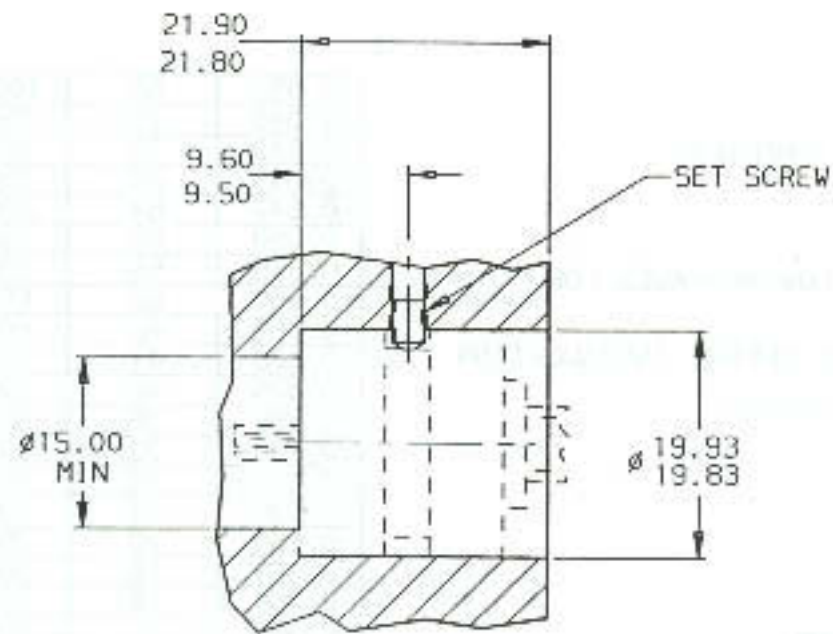
DESIGN	SARRACKS	UNLESS OTHERWISE SPECIFIED DIMENSIONS ARE IN MM TOLERANCES ARE DECIMALS	Duncan Electronics Division BEI SENSORS & SYSTEMS COMPANY Torrance, California
SECRET	GALVAN	ANGLES	
ENG. APPROVAL	GALVAN	X ± .5 XX ± .25 ±1°	TITLE
DESIGN	XXXX	CONCENTRICITY .127 11R	OUTLINE 6300 H001
C.L. APPROVAL	J. HALL	MATERIAL	SIZE
USED ON	INITIAL REL. DATE	FINISH	B 11534
6300	2-28-92		QTY NO.
			6300-100-H001
			REF.
			K
			SCALE 1.5X
			REL. DATE 10-4-93
			PAGE 1 OF 1

### H001 HEADER MOUNTING

MOUNTING HARDWARE SUPPLIED



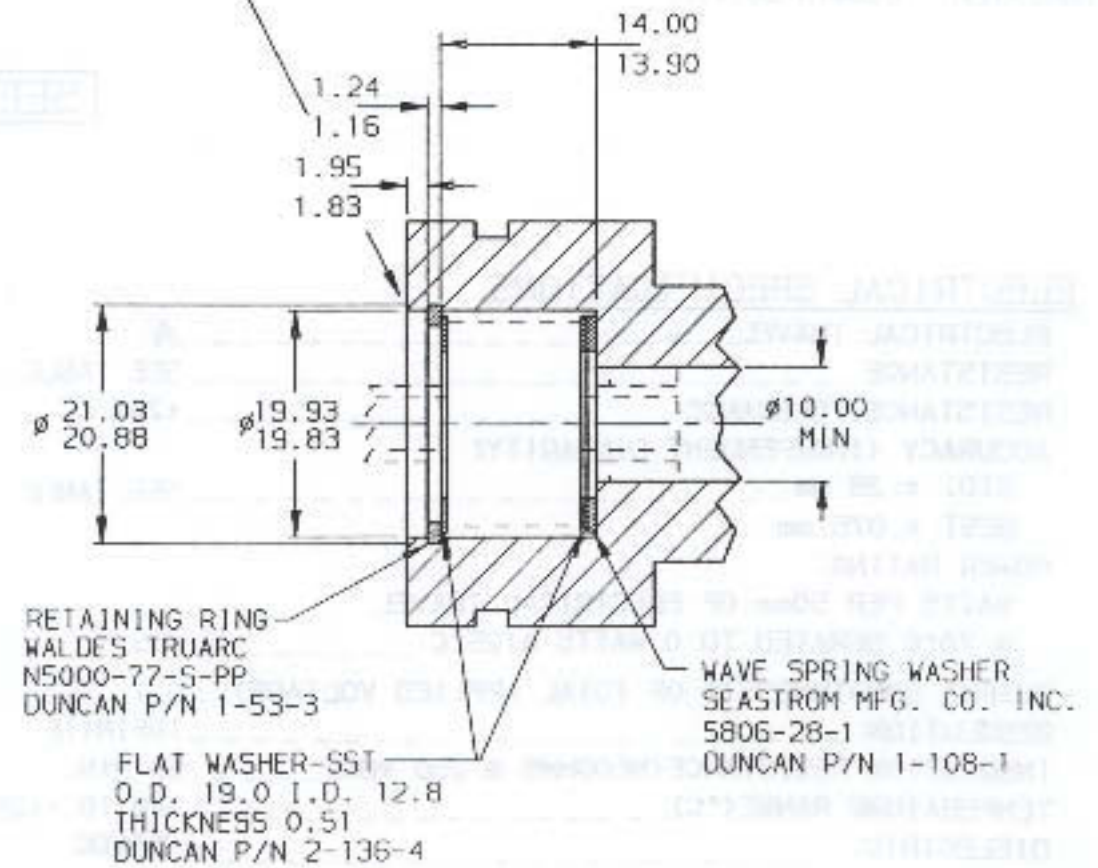
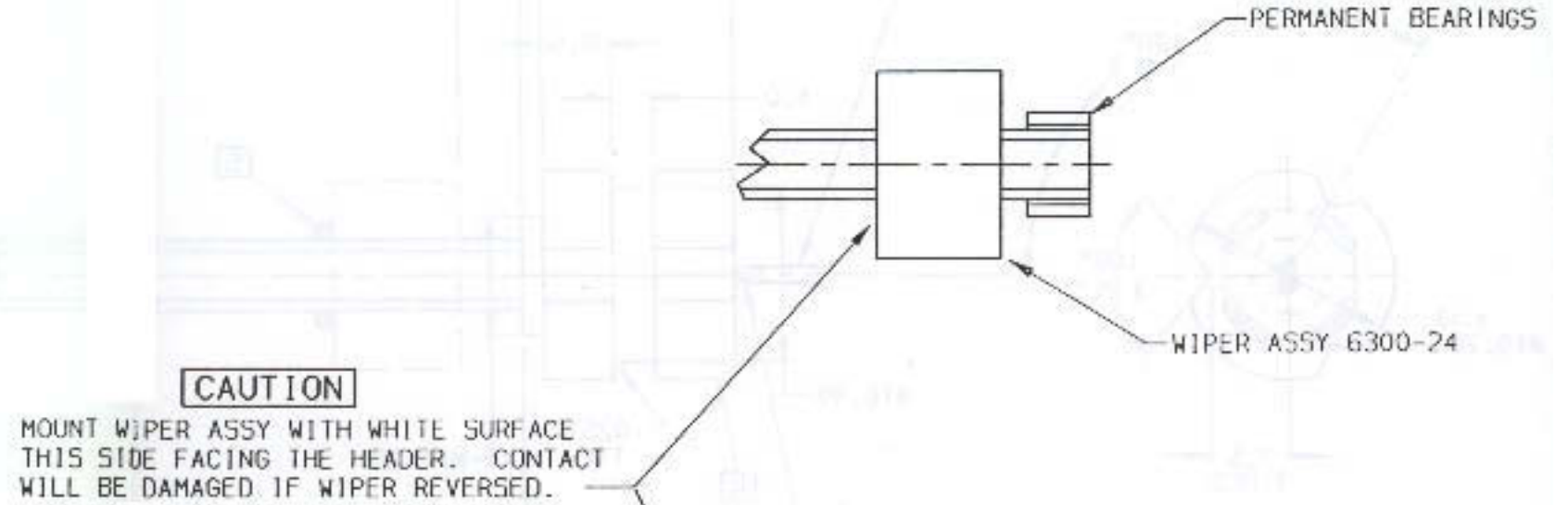
### RETAINING RING MOUNTING



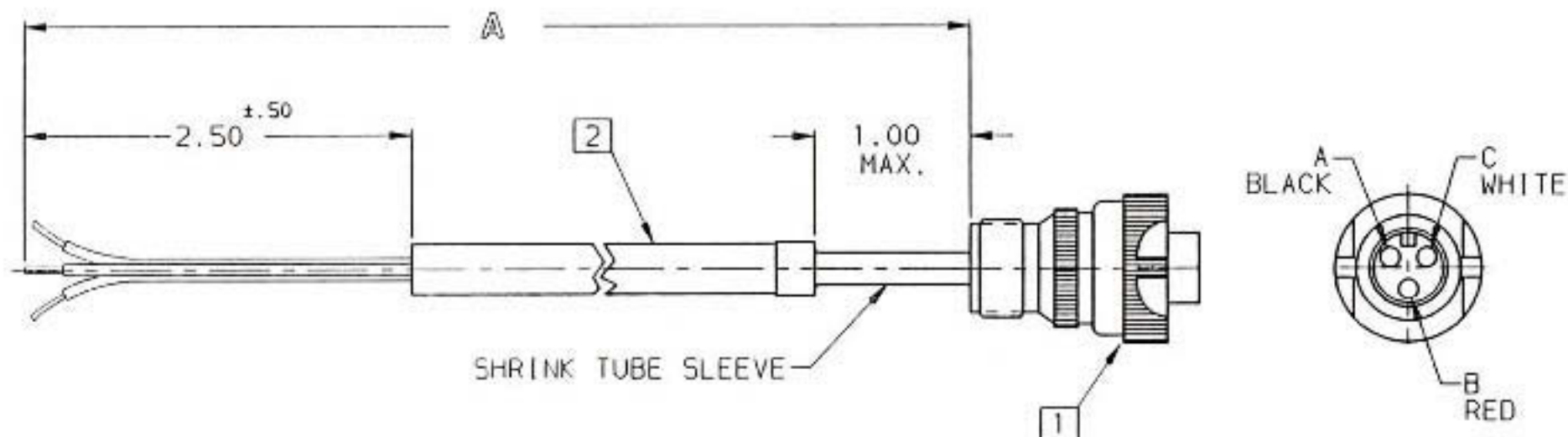
### ALTERNATE SET SCREW MOUNTING

### WIPER ASSY MOUNTING

MOUNTING HARDWARE SUPPLIED



DESIGN	SARBACELE	UNLESS OTHERWISE SPECIFIED DIMENSIONS ARE IN MILLIMETERS ANGLES	<b>BEI</b> Duncan Electronics Division BEI SENSORS & SYSTEMS COMPANY Tustin, California
FINISH	GALVAN	CONCENTRICITY .127 TIR	
DATE	XXXX	MATERIAL	TITLE OUTLINE 6300 H001
DESIGNED BY	J. HALL	FINISH	SIZE B
DATE	2-20-92		FIG. NO. 11534
			REV. NO. 6300-100-H001
			SCALE 1.5X
			REL. DATE 10-4-93
			PAGE 2 of 2



2 3 WIRE UNSHIELDED JACKETED CABLE. CONDUCTORS TO BE STRANDED 20 AWG TINNED COPPER, PVC INSULATED WITH CHROME SUNLIGHT RESISTANT PVC JACKET. COLOR CODE: BLACK, RED, WHITE.

1 M53106A-10SL-3S CONNECTOR INSTALLED ONE END.

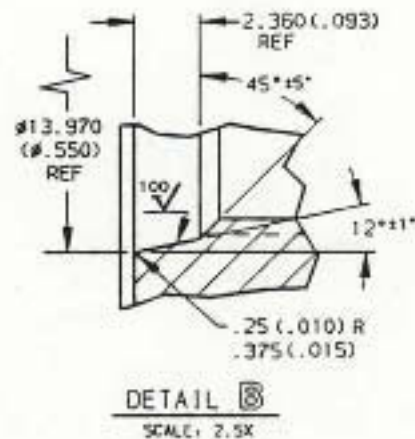
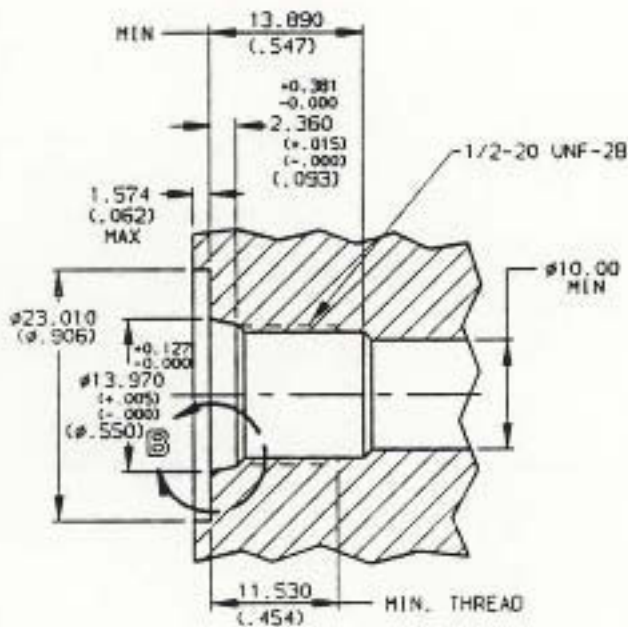
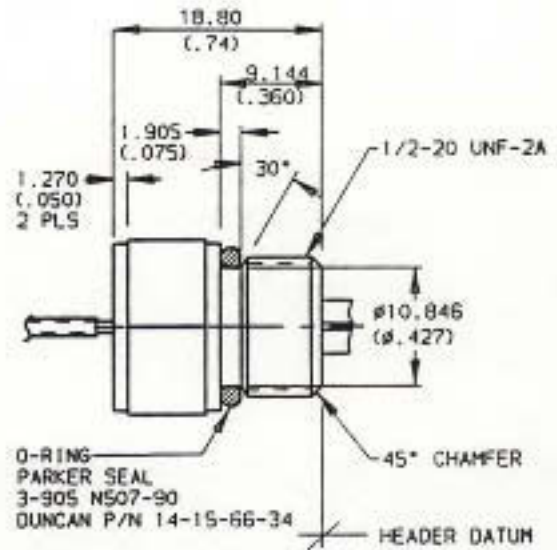
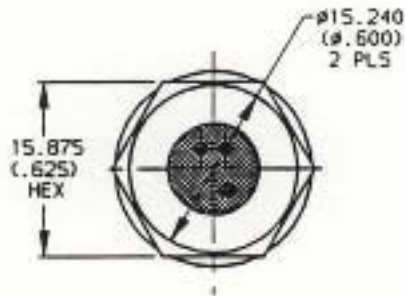
	-4
	-3
	-2
180.00	-1
A MIN.	P/N

<b>BEI</b>		Duncan Electronics Division BEI SENSORS & SYSTEMS COMPANY Tustin, California		UNLESS OTHERWISE SPECIFIED DIMENSIONS ARE IN INCHES TOLERANCES ARE:		TITLE CABLE ASSY				
USED ON 6300	MATERIAL ---	DRAWN SARBACKER	DESIGNED R.D.	FRACTIONS ±1/64	DECIMALS .XX ±.01 .XXX ±.005	ANGLES ±0.5°	SIZE A	FSCH NO. 11534	DNB NO. 6300-70-	REV. A
	FINISH ---	CHECKED GALVAN	ENG. APPROVED GALVAN				SCALE 1X	REL. DATE 8-12-93	PAGE 1 OF 1	
		INITIAL REL. DATE 8-12-93	D.T. APPROVED J. HALL							

# H003 EXTERNAL MOUNT PRESSURE HEADER

METRIC

PRESSURE RATING: 3000 PSI (200 BAR) WORKING  
5000 PSI (345 BAR) PROOF.



## MOUNTING

SAE JS14 (REF)



Duncan Electronics Division  
BEI SENSORS & SYSTEMS COMPANY  
Tustin, California

TITLE

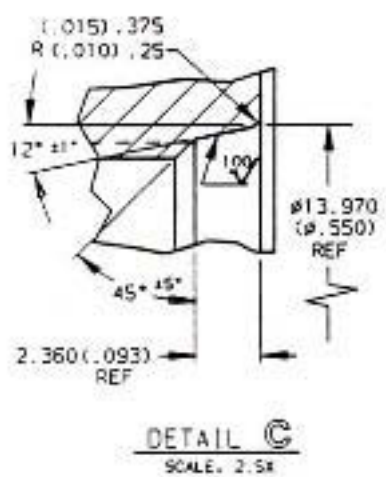
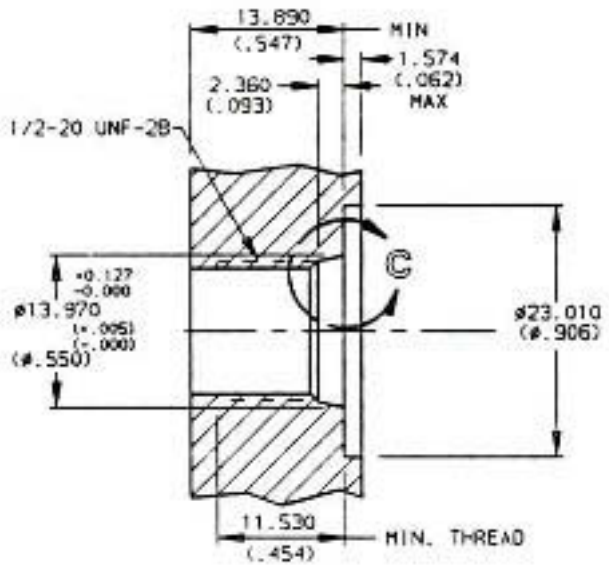
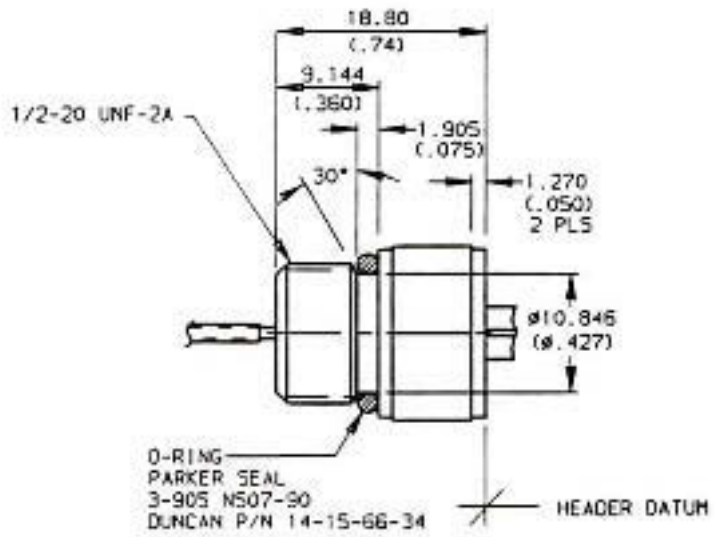
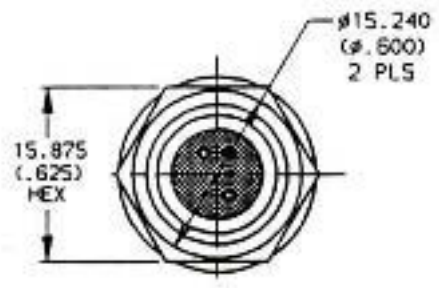
OUTLINE  
6300 H003

USED ON 6300 SERIES	DESIGNED SARGACKER	DESIGNED XXXX	SIZE AV	FSC# NO. 11534	DWG NO. 6300-100-H003	REV. A
	CHECKED GALVAN	ENG. APPROVED GALVAN	SCALE 1.5X	REL. DATE 10-4-93	PAGE 1 OF 1	

# H004 INTERNAL MOUNT PRESSURE HEADER

METRIC

PRESSURE RATING: 3000 PSI (200 BAR) WORKING  
5000 PSI (345 BAR) PROOF.



## MOUNTING

SAE J514 (REF)



Duncan Electronics Division  
BEI SENSORS & SYSTEMS COMPANY  
Tustin, California

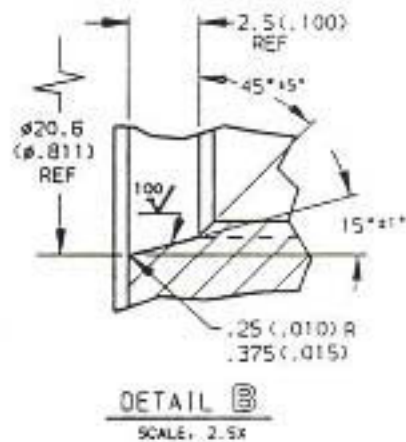
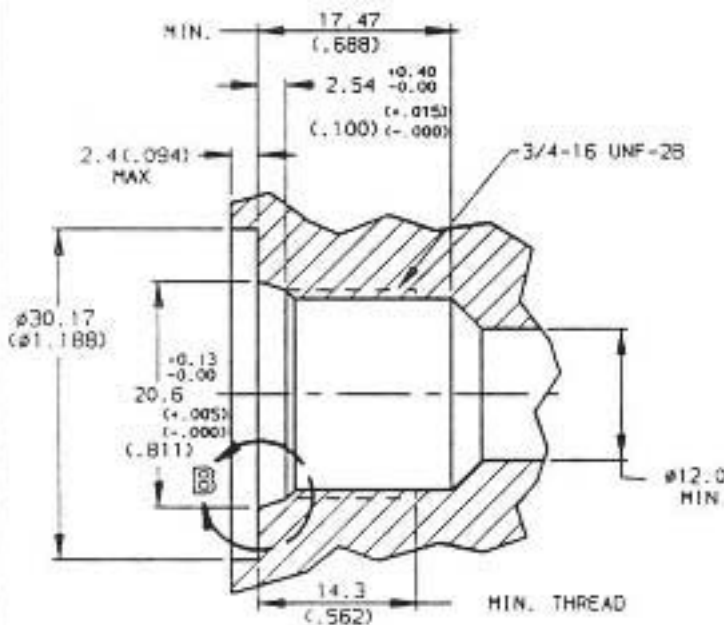
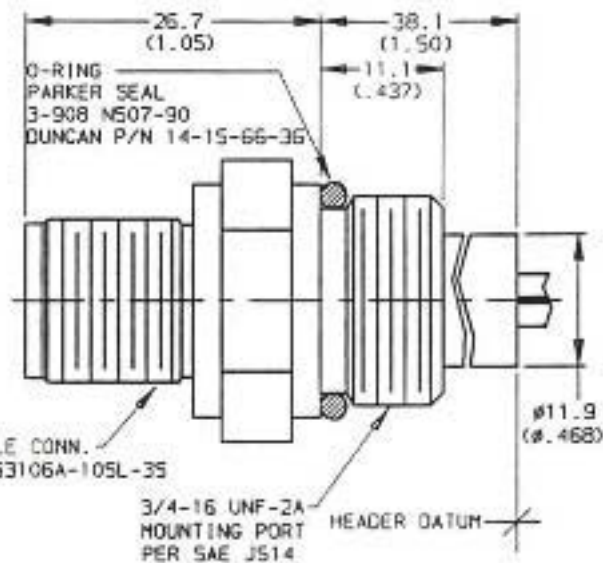
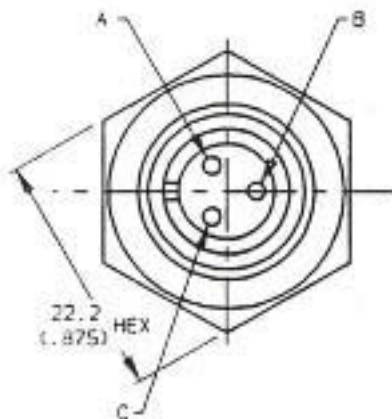
TITLE  
OUTLINE  
6300 H004

DESIGNED BY SARBACOKER	CHECKED BY GALVAN	APPROVED BY J. HALL	RESTORED BY XXXX	ENGR. APPROVED BY GALVAN	INITIAL REL. DATE 10-4-93	SIZE AV	FSCN NO. 11534	QWG NO. 6300-100-H004	REV. A
SCALE 1.5X						REL. DATE 10-4-93	PAGE 1 OF 1		

# H006 EXTERNAL MOUNT PRESSURE HEADER

METRIC

PRESSURE RATING: 3000 PSI (200 BAR) WORKING  
5000 PSI (345 BAR) PROOF.



## MOUNTING

SAE J514 (REF)

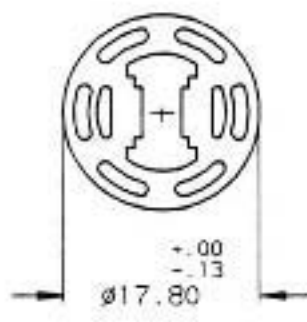
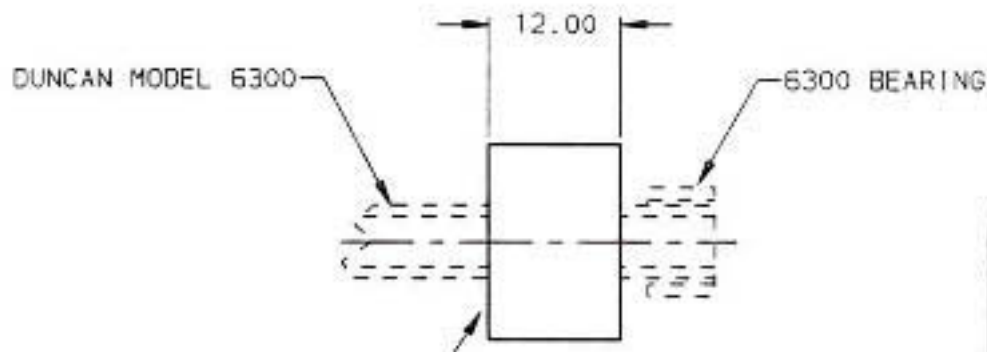


Duncan Electronics Division  
BEI SENSORS & SYSTEMS COMPANY  
Tustin, California

TITLE

OUTLINE  
6300 H006

USED ON 6300 SERIES	DRAWN SARBACXKER	DESIGNED XXXX	SIZE AV	FSC# NO. 11534	DWG NO. 6300-100-H006	REV. B
	CHECKED GALVAN	ENG. APPROVED GALVAN	SCALE 1.5X	REL. DATE 12-21-93	PAGE 1 OF 1	
	D.A. APPROVAL J. HALL	INITIAL REL. DATE 10-4-93				

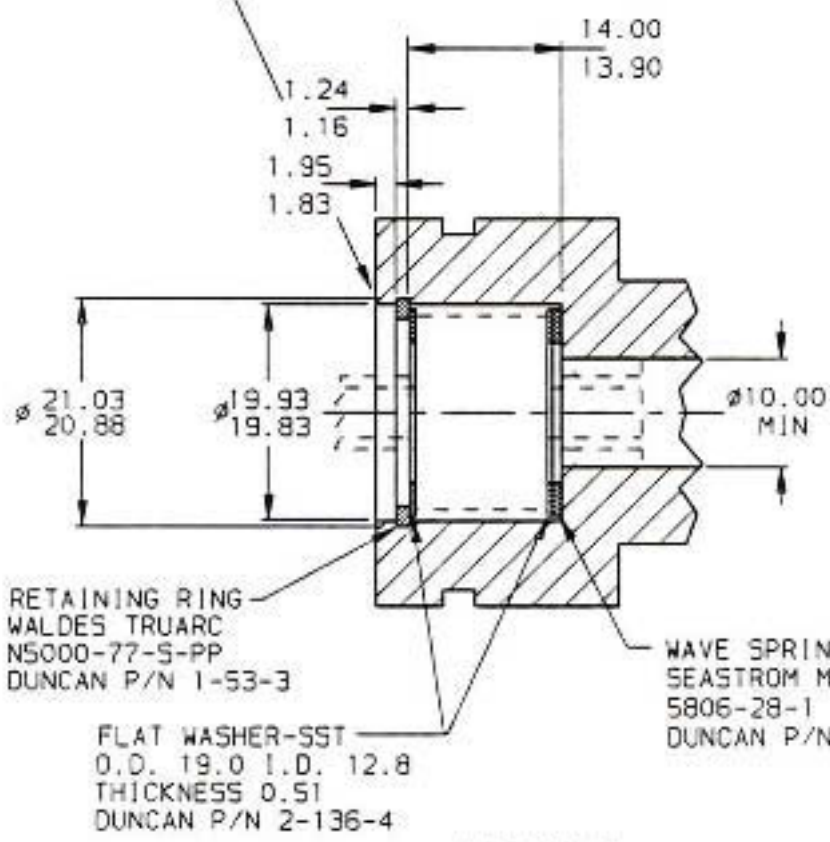


**CAUTION**

MOUNT SLIDER ASSY WITH WHITE SURFACE THIS SIDE FACING THE HEADER. CONTACT WILL BE DAMAGED IF REVERSED.

OUTLINE

TO ORDER SPECIFY  
DUNCAN MODEL 6300-1102



MOUNTING

DRAWN SARBACKER	INITIAL REL. DATE 11-4-93	UNLESS OTHERWISE SPECIFIED DIMENSIONS ARE IN MILLIMETERS TOLERANCES ARE:	
CHECKED GALVAN	DESIGN ---	DECIMALS .X ±.3	ANGLES ±0.5°
ENG. APPROVAL GALVAN	D.A. APPROVAL J. HALL	MATERIAL	
USED ON 6300-1102		FINISH	

**BEI** Duncan Electronics Division  
BEI SENSORS & SYSTEMS COMPANY  
Tustin, California

TITLE OUTLINE/MOUNTING INSTRUCTIONS SLIDER ASSEMBLY			
SIZE AV	P/SCR NO. 11534	DMG NO. 6300-1102-0-0	REV. A
SCALE NONE	REL. DATE 11-4-93	PAGE 1 OF 1	